

FLO-VU[®]

**SIGHT FLOW INDICATORS
AND SIGHT-FLOAT CHECK VALVE**
(Teflon PFA Lined and Un-lined Stainless)

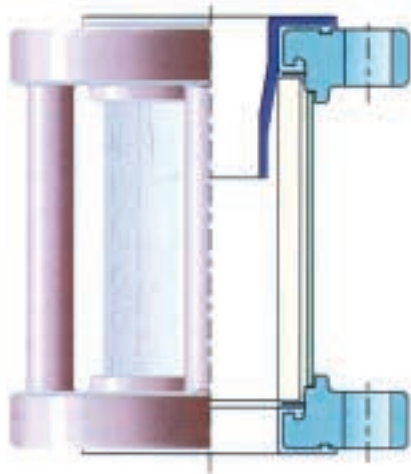


(6" FLO-VU shown with optional spot light)

Featuring:

- High Pressure Rating (150 psig)
- Wide Operating Temperature Range (-20° to 350°F)
- Teflon PFA/Glass Wetted Surfaces
- Stainless Steel Construction
- Creep Resistant Teflon PFA Seals

FLO-VU 360L SIGHT FLOW INDICATOR



FLO-VU 360L

(Shown with optional Drip Tube)

Teflon® and Glass Wetted Surfaces

The FLO-VU 360L sight glass is a full view visual flow indicator with a 150 psi pressure rating. It is intended for applications requiring a high pressure rating and excellent corrosion resistance. Teflon® PFA and borosilicate glass wetted surfaces offer high temperature, corrosion resistance and absolute product purity.

Unique Seal Design

The unique gasket used in the FLO-VU offers greater seal integrity than either the PTFE lip or PTFE gasket type seal used in conventional sight glasses. The superior cold flow resistance of Teflon PFA dramatically reduces the creep associated with PTFE at elevated temperatures. This eliminates the periodic re-tightening required with other teflon gaskets.

Each unit is subjected to a 150 psi helium bubble test; the industry's most rigorous test.

*Why Specify FLO-VU®
Sight / Flow Indicators?*

Stainless Steel Construction
Type 316 Flanges and
Type 304 Tie Rods



Standard Impact Shield

A polycarbonate shield is standard on all Ethylene FLO-VU 360 sight glasses to protect the glass tube from external damage and to provide a degree of "scatter" protection. The combination of rugged construction and the highest quality, corrosion resistant materials and simple design make the FLO-VU the sight glass for your most critical applications.

Engineering Data

Pressure Rating	150 psi @ 350°F
Design Pressure	225 psi @ 350°F
Temperature Range	-20° to 350°F
Vacuum Rating	Full Vacuum
Flange Material	316 Stainless Steel
Glass Tube	Borosilicate
Impact Shield	Polycarbonate
Flange Liner	Teflon PFA

Nominal Diameter	Lengths Available	Length Stocked
1"	5"-30"	8"
1 1/2"	5"-30"	8"
2"	5"-30"	8"
3"	5"-30"	8"
4"	5"-30"	8"
6"	5"-30"	8"

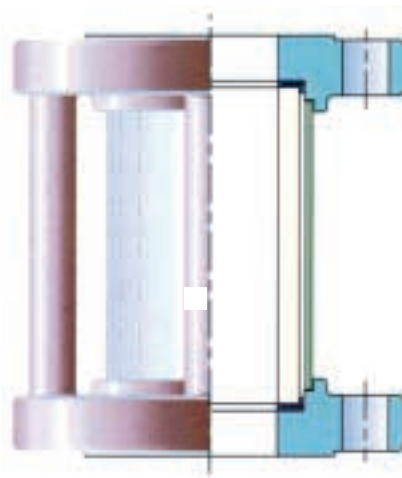
Note: 8" lengths stocked at factory. Consult factory for availability of other lengths.

FLO-VU 360M SIGHT INDICATOR

Type 316 Stainless and Glass Wetted Surfaces

The FLO-VU 360M is an un-lined version of the FLO-VU 360. Since it is similar in design to the FLO-VU 360, it offers the same high performance and rugged construction for applications that are less corrosive or purity sensitive. The standard unit is supplied with type 316 stainless steel flanges and PFA/Viton 'B' seals.

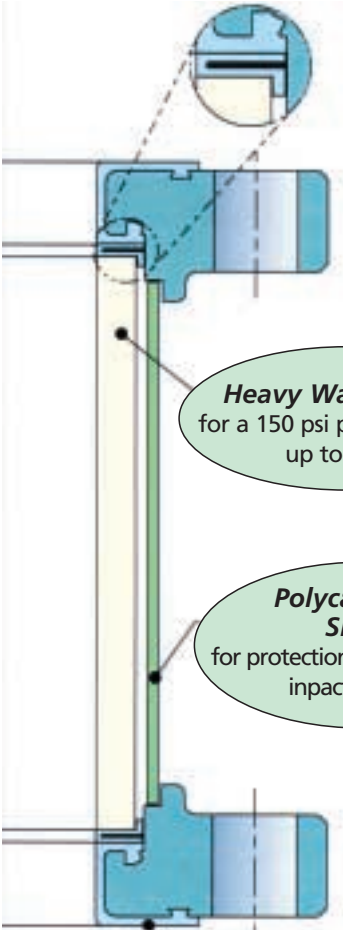
Hastelloy 'C' flanges are offered for more corrosive services and Teflon PFA/Viton 'B' seals are available for enhanced thermal cycling performance. All FLO-VU sight glasses are designed for services with operating temperatures up to 350°F.



- Type 316 Stainless
- Teflon PFA
- Polycarbonate
- Borosilicate Glass
- PTFE
- Viton 'B'

FLO-VU DOSER SIGHT CHAMBER

Teflon PFA / Viton®B Seal provides for an exceptional seal even under severe thermal cycling



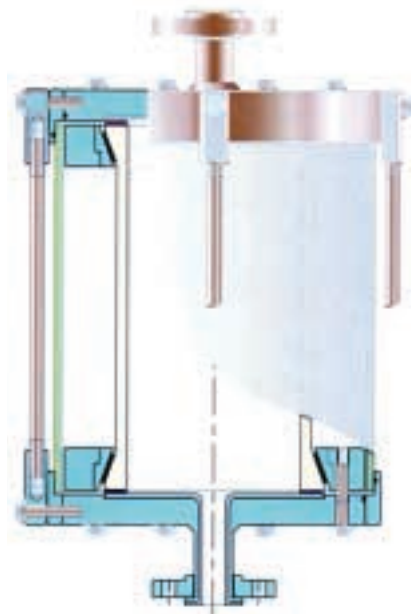
Heavy Walled Glass for a 150 psi pressure rating up to 350°F

Polycarbonate Shield for protection against external impact damage

Teflon® PFA lined flanges

The **FLO-VU DOSER** is used to introduce measured amounts of materials into a closed processing system, such as, a reactor vessel. The **FLO-VU DOSER** can be fabricated with a variety of nozzle, diameter and length combinations to suit your particular needs.

Nominal Diameter	Lengths Available
6"	12"-36"
8"	12"-36"
12"	12"-36"
14"	12"-36"

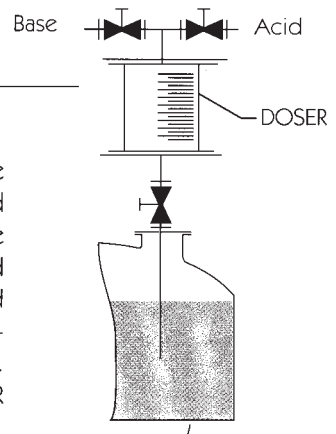


Engineering Data

Pressure Rating	20 psi @ 350°F
Temperature Range	-20° to 350°F
Vacuum Rating	Full Vacuum
Flange Material	316 Stainless Steel
Glass Tube	Borosilicate
Impact Shield	Polycarbonate
Flange Lining(optional)	Tefzel®

Typical DOSER Installation

The **FLO-VU DOSER** can be used to adjust the pH in a reactor by allowing the operator to add pre-measured volumes of an acid or base to the vessel (shown at right). The DOSER can also be used for the addition of seed crystals, separation and decanting or any other operation where the operator would need visual contact with the process. The standard polycarbonate shield on the DOSER assures operator safety.



PLUS

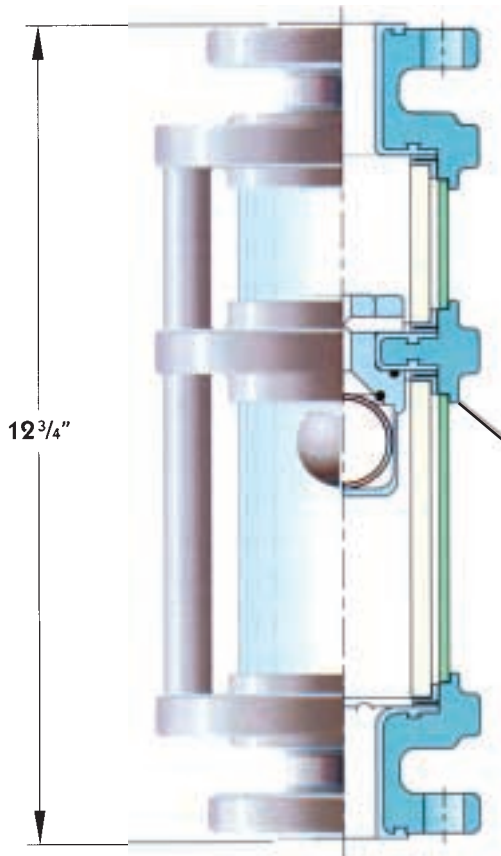
100% Testing - Each unit is subjected to a 225 psig hydrostatic pressure test and a 150 psig helium bubble test before shipment.

Rugged Construction- All sight glasses have heavy duty tie rods and flanges for decreased deformation under external loads.

Available Options

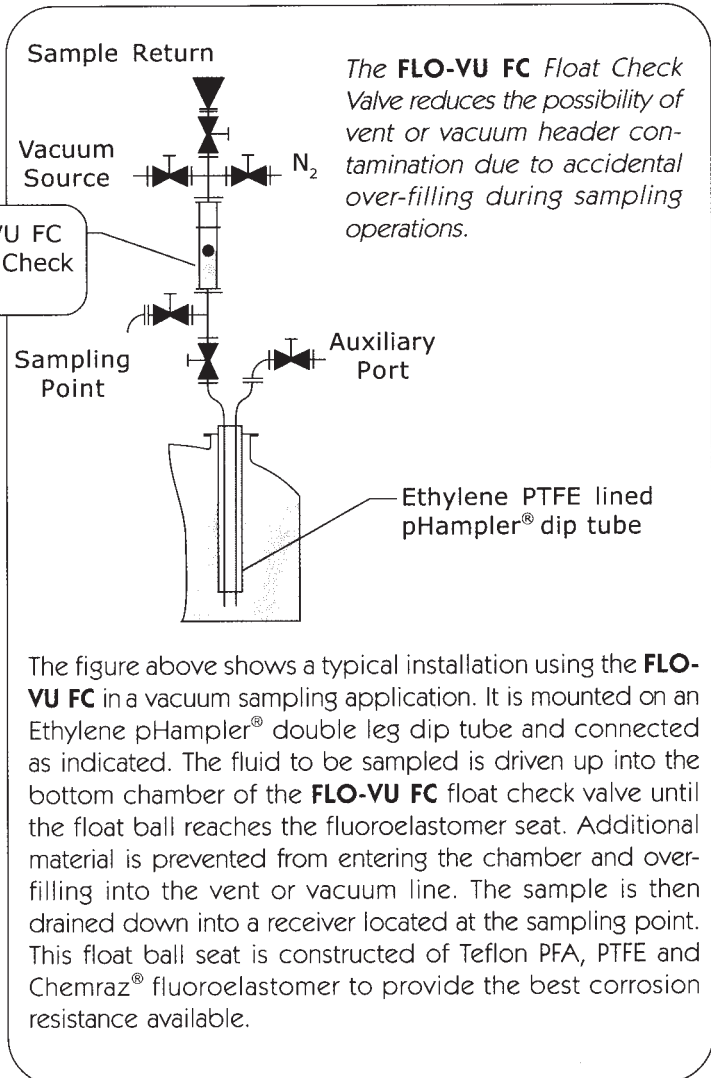
- Drip Tube** - For improved viewing in low, vertical flow applications.
- Spot Light** - NEMA 4X and explosion Proof types available with mount.
- Shield Purge** - Gas purge of volume between the glass tube and shield.
- Gradations**- Graduated glass tube, both English and SI units available.

FLO-VU FC SIGHT FLOW / CHECK VALVE



The **FLO-VU FC** combines the corrosion resistance and product purity of the FLO-VU sight glass with a unique Teflon PFA ball float assembly that prevents overfilling of the bottom chamber. It is intended as a means of preventing vent-line contamination in sampling or "dosing" applications. An observation chamber above the check ball provides for a visual confirmation of ball seating.

Typical Sampling Installation



Engineering Data

Connection Size	1" ANSI 150 Class
Pressure Rating	150 psi @ 300°F
Design Pressure	225 psi @ 300°F
Temperature Range	-20° to 300°F
Vacuum Rating	Full Vacuum
Flange Material	316 Stainless Steel
Glass Tube	Borosilicate
Impact Shield	Polycarbonate
Ball Assembly	Teflon® PFA
Ball Seat	Chemraz®

(consult factory for availability of other diameters and lengths)

The figure above shows a typical installation using the **FLO-VU FC** in a vacuum sampling application. It is mounted on an Ethylene pHampler® double leg dip tube and connected as indicated. The fluid to be sampled is driven up into the bottom chamber of the **FLO-VU FC** float check valve until the float ball reaches the fluoroelastomer seat. Additional material is prevented from entering the chamber and over-filling into the vent or vacuum line. The sample is then drained down into a receiver located at the sampling point. This float ball seat is constructed of Teflon PFA, PTFE and Chemraz® fluoroelastomer to provide the best corrosion resistance available.

For more information or to place an order, call Sermatech Ethylene at 1-888-SSE-6292 and press 1.



SERMATECH INTERNATIONAL INCORPORATED
A TELEFLEX COMPANY (NYSE: TFX)

Sermatech Ethylene
755 Central Ave.
Murray Hill, NJ 07974
USA
Phone: 908-464-2600
Fax: 908-464-0627

Your Distributor or Representative;

Warranty – Sermatech Surface Engineering (SSE) warrants its products to be free of any defects in material or workmanship for a period of 12 months from the date of installation or 18 months from shipment, whichever comes first. However, SSE shall have no liability whatsoever for units which fail due to mechanical damage, misuse or abuse. Except for this warranty, SSE makes no warranty, express or implied, and expressly excludes any warranty of merchantability or fitness for a particular service. SSE's maximum liability hereunder shall be limited to the repair or replacement of any defective product, if appropriate. SSE shall, under no circumstances, be liable for any incidental, consequential, or other damages, including, but not limited to, loss of business or profits, based on any alleged negligence, breach of warranty, strict liability or other theory, arising out of the use or handling of these products.

www.sermatech.com